

# Head Block, Underhung - 59 Series

- Underhung style, normally supported by two structural I-beams
- ASTM Class 30 grey iron or nylon sheave
- Equal pitch diameter on rope and cable grooves for smooth operation
- Tapered roller bearings
- Base angle legs turned in to allow close mounting centers
- 10-gauge (3 mm) side plates fully enclose sheave; 16" (406 mm) blocks have 7-gauge (5 mm) side plates
- Side plates are bolted and welded to the base angles for extra strength
- Six spacers between the side plates, three prevent cables from escaping the sheave grooves
- Base angles punched with a hole pattern for easy installations
- Mounting clips available, please provide steel dimensions
- Underhung blocks may need to be welded to head beams after final alignment; Clip angles are recommended for double beam mounting; mounting with clips or to single beams will require welding. Consult the factory for specific information
- Three-year warranty against defects in materials or workmanship is provided on all J.R. Clancy equipment, additional warranty information is available at jrclancy.com



## Order Information

Sheave Diameter	Rope Diameter	Lines	Bearings	Cast Iron Product Code	RWL	Weight	Nylon Product Code	RWL	Weight
<b>Single Purchase</b>									
8" (203 mm)	3/4" (19 mm)	6 @ 1/4" (6 mm)	1" (25 mm)	100-60859C25	1300 lb (590 kg)	46 lb (20.9 kg)	-	-	-
8" (203 mm)	3/4" (19 mm)	8 @ 1/4" (6 mm)	1" (25 mm)	100-80859C25	1300 lb (590 kg)	52 lb (23.6 kg)	-	-	-
12" (305 mm)	3/4" (19 mm)	6 @ 1/4" (6 mm)	1" (25 mm)	100-61259C25	3000 lb (1361 kg)	72 lb (32.6 kg)	100-61259N25	3000 lb (1361 kg)	40 lb (18.1 kg)
12" (305 mm)	3/4" (19 mm)	8 @ 1/4" (6 mm)	1" (25 mm)	100-81259C25	3000 lb (1361 kg)	79 lb (35.8 kg)	100-81259N25	3000 lb (1361 kg)	41 lb (18.6 kg)
12" (203 mm)	3/4" (19 mm)	10 @ 1/4" (6 mm)	1" (25 mm)	100-101259C25	3000 lb (1361 kg)	86 lb (39 kg)	-	-	-
16" (406 mm)	1" (25 mm)	6 @ 3/8" (10 mm)	1-1/2" (38 mm)	100-61659C381	3600 lb (1633 kg)	139 lb (63 kg)	-	-	-
16" (406 mm)	1" (25 mm)	8 @ 3/8" (10 mm)	1-1/2" (38 mm)	100-81659C381	3600 lb (1633 kg)	147 lb (66.7 kg)	-	-	-
<b>Double Purchase</b>									
12" (305 mm)	3/4" (19 mm)	6 @ 1/4" (6 mm)	1" (25 mm)	100-61259C25D	3000 lb (1361 kg)	72 lb (32.6 kg)	100-61259N25D	3000 lb (1361 kg)	40 lb (18.1 kg)
12" (305 mm)	3/4" (19 mm)	8 @ 1/4" (6 mm)	1" (25 mm)	100-81259C25D	3000 lb (1361 kg)	79 lb (35.8 kg)	100-81259N25D	3000 lb (1361 kg)	41 lb (18.6 kg)

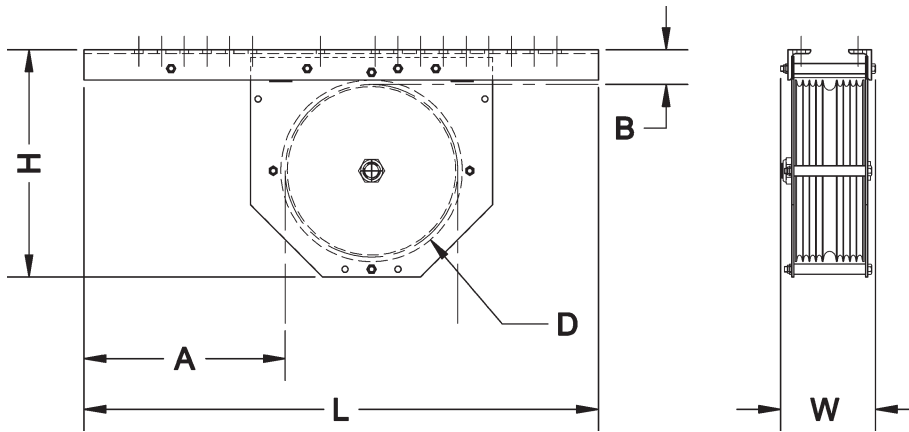
**Double Purchase:** Add a "D" suffix to the product code for a double purchase head block.

**Wire Guide Blocks:** Add a "W" suffix to the product code for a block with tieoffs for arbor wire guides.

**Tieoffs:** Tieoffs for wire guided clews are also available.

**RWL:** The recommended working load (RWL) is maximum load that can be applied to a block which is in "like new" condition and has been properly installed, maintained and operated. The mounting of the head block has a major effect on the RWL, as shown in the tables on this product's specific web page.

## Dimensions



Nominal Sheave Diameter	Lines	Dim. L	Dim. H	Dim. W	Dim A	Dim B	Dim. D (Sheave Diameter)
8" (203 mm)	6	32" (813 mm)	11-7/16" (291 mm)	5-3/8" (137 mm)	15-1/16" (383 mm)	2-3/16" (11 mm)	8-1/2" (216 mm)
8" (203 mm)	8	32" (813 mm)	11-7/16" (291 mm)	6-3/8" (162 mm)	15-1/16" (383 mm)	2-3/16" (11 mm)	8-1/2" (216 mm)
12" (305 mm)	6	34" (864 mm)	15" (381 mm)	5-3/8" (137 mm)	13-5/16" (338 mm)	2-3/16" (11 mm)	12" (305 mm)
12" (305 mm)	8	34" (864 mm)	15" (381 mm)	6-3/8" (162 mm)	13-5/16" (338 mm)	2-3/16" (11 mm)	12" (305 mm)
12" (305 mm)	10	34" (864 mm)	15" (381 mm)	7-1/4" (184 mm)	13-5/16" (338 mm)	2-3/16" (11 mm)	12" (305 mm)
16" (406 mm)	6*	34" (864 mm)	19" (483 mm)	6-5/8" (168 mm)	11-7/16" (291 mm)	2-3/16" (11 mm)	16" (406 mm)
16" (406 mm)	8*	34" (864 mm)	19" (483 mm)	7-5/8" (194 mm)	11-7/16" (291 mm)	2-3/16" (11 mm)	16" (406 mm)

\*Standard 16" (406 mm) sheave grooving is for 3/8" (10 mm) cable and 1" (25 mm) rope.  
1/4" (6 mm) cable and 3/4" (19 mm) rope are available.

**Wenger**

**JRCLANCY**

**GEARBOSS**

© 2024 Wenger Corporation  
USA/2024-03

**Minnesota Location** Wenger Phone 800.4WENGER (493-6437) Wenger Worldwide +1.507.455.4100 | Parts & Service 800.887.7145 | wengercorp.com  
GearBoss Phone 800.493.6437 | gearboss.com  
555 Park Drive, PO Box 448 | Owatonna | MN 55060

**New York Location** J.R. Clancy Phone 800.836.1885 JR Clancy Worldwide +1.315.451.3440 | jrclancy.com | 7041 Interstate Island Road | Syracuse | NY 13209